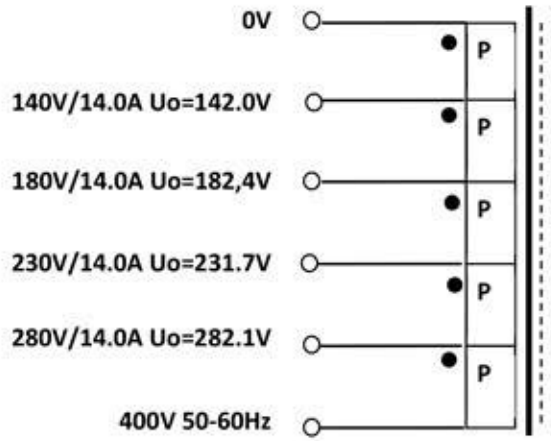


Description: Autotransformer Input: 400V Output: 140V/180V/230V/280V // 14.0A

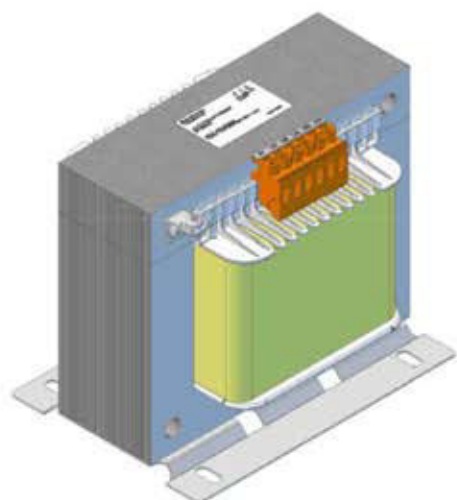
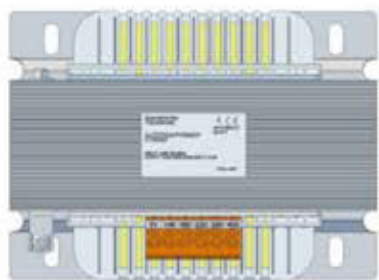
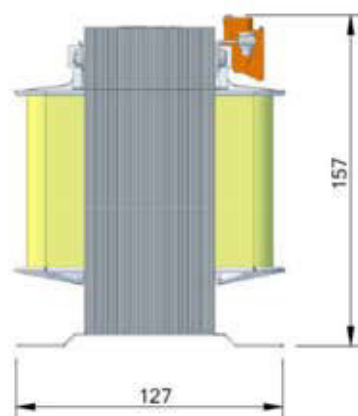
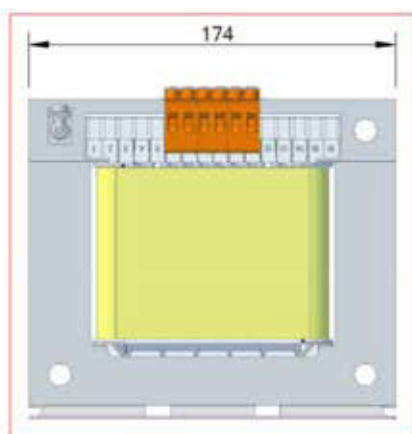
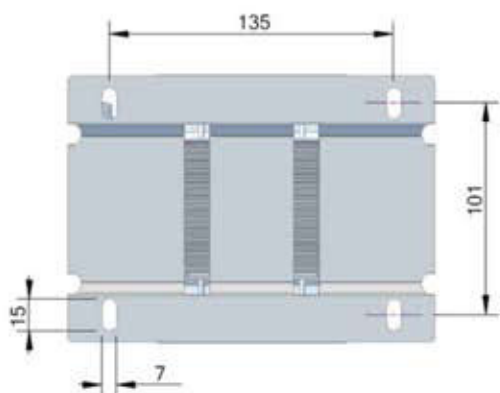
Rev.	ST no.	Initials	Sign	Date	Appr.	Sign	Changes
1	59362	AG		08.02.2019	JS		Initial version



Temperature class: B

$T_a = 40^{\circ}\text{C}$

Description: **Autotransformer Input: 400V Output: 140V/180V/230V/280V // 14.0A**



**Scandinavian
Transformer**